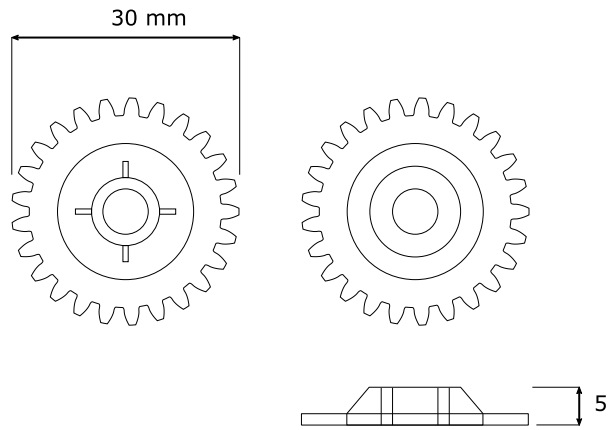


sinker plate wheel
3.6 pitch fine gauge · silver reed



sinker plate wheel
4.5 pitch standard gauge · silver reed

